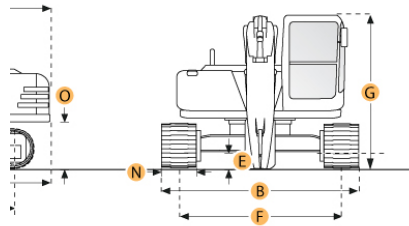
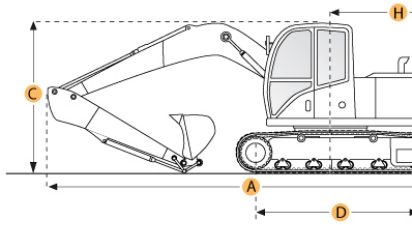


RITCHIE Specs *Everything about Equipment*

CASE CX135SR HYDRAULIC EXCAVATOR



Boom/Stick Option (HEX) 1

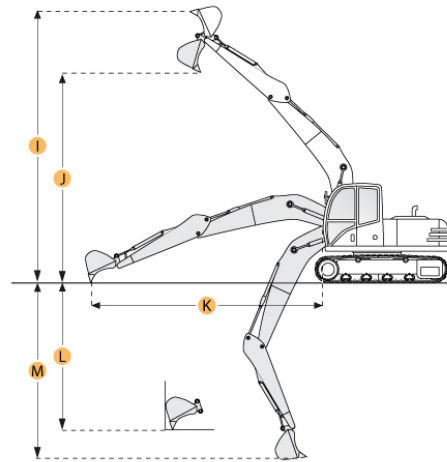
A. SHIPPING LENGTH OF UNIT	23.7 ft in	7230 mm
C. SHIPPING HEIGHT OF UNIT	9 ft in	2750 mm
J. MAX LOADING HEIGHT	22.7 ft in	6910 mm
K. MAX REACH ALONG GROUND	26.9 ft in	8210 mm
L. MAX VERTICAL WALL DIGGING DEPTH	15.9 ft in	4850 mm
M. MAX DIGGING DEPTH	17.9 ft in	5470 mm

Dimensions

B. WIDTH TO OUTSIDE OF TRACKS	8.2 ft in	2490 mm
D. LENGTH OF TRACK ON GROUND	9.2 ft in	2790 mm
E. GROUND CLEARANCE	1.4 ft in	440 mm
H. TAIL SWING RADIUS	4.9 ft in	1480 mm

Undercarriage

N. SHOE SIZE	19.7 in	500 mm
--------------	---------	--------



RITCHIE Specs Everything about Equipment

CASE CX135SR HYDRAULIC EXCAVATOR

Specification

Engine		
MAKE	Isuzu	
MODEL	BB-4BG1T	
GROSS POWER	88 hp	65.6 kw
POWER MEASURED @	2100 rpm	
DISPLACEMENT	268.5 cu in	4.4 L
NUMBER OF CYLINDERS	4	
Operational		
OPERATING WEIGHT	30864.7 lb	14000 kg
HYDRAULIC SYSTEM RELIEF VALVE PRESSURE	4974.8 psi	34300 kPa
HYDRAULIC PUMP FLOW CAPACITY	35.4 gal/min	134 L/min
Undercarriage		
SHOE SIZE	19.7 in	500 mm
MAX TRAVEL SPEED	3.1 mph	5 km/h
Buckets		
REFERENCE BUCKET CAPACITY	0.65 yd3	0.5 m3
Boom/Stick Option (HEX) 1		
SHIPPING HEIGHT OF UNIT	9 ft in	2750 mm
SHIPPING LENGTH OF UNIT	23.7 ft in	7230 mm
MAX DIGGING DEPTH	17.9 ft in	5470 mm
MAX REACH ALONG GROUND	26.9 ft in	8210 mm
MAX LOADING HEIGHT	22.7 ft in	6910 mm
MAX VERTICAL WALL DIGGING DEPTH	15.9 ft in	4850 mm
Dimensions		
WIDTH TO OUTSIDE OF TRACKS	8.2 ft in	2490 mm
GROUND CLEARANCE	1.4 ft in	440 mm
TAIL SWING RADIUS	4.9 ft in	1480 mm
LENGTH OF TRACK ON GROUND	9.2 ft in	2790 mm

