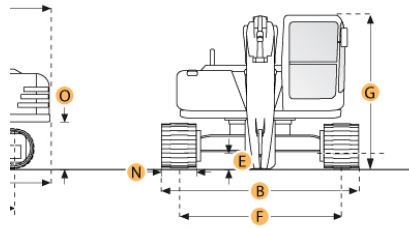
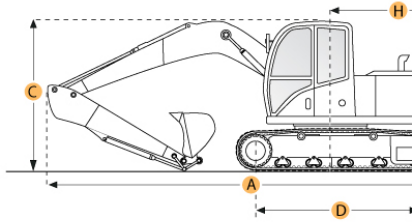


## CASE CX460 HYDRAULIC EXCAVATOR



### Boom/Stick Option

Boom/Stick Option (HEX) 1

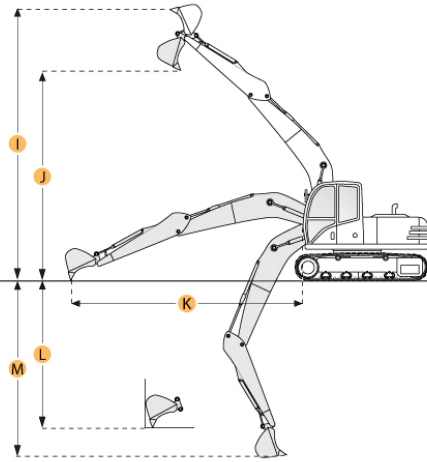
A. SHIPPING LENGTH OF UNIT	39.1 ft in	11920 mm
C. SHIPPING HEIGHT OF UNIT	11.8 ft in	3600 mm
I. MAX CUTTING HEIGHT	37.2 ft in	11340 mm
J. MAX LOADING HEIGHT	26.1 ft in	7940 mm
K. MAX REACH ALONG GROUND	40.4 ft in	12330 mm
L. MAX VERTICAL WALL DIGGING DEPTH	23.5 ft in	7160 mm
M. MAX DIGGING DEPTH	27.3 ft in	8340 mm

### Dimensions

B. WIDTH TO OUTSIDE OF TRACKS	12 ft in	3650 mm
D. LENGTH OF TRACK ON GROUND	14.4 ft in	4400 mm
E. GROUND CLEARANCE	21 ft in	540 mm
G. HEIGHT TO TOP OF CAB	10.8 ft in	3270 mm
H. TAIL SWING RADIUS	11.9 ft in	3620 mm
O. COUNTERWEIGHT CLEARANCE	52 ft in	1330 mm

### Undercarriage

F. TRACK GAUGE	9 ft in	2750 mm
N. SHOE SIZE	35.4 in	900 mm



# RITCHIE Specs Everything about Equipment

## CASE CX460 HYDRAULIC EXCAVATOR

### Specification

<b>Engine</b>		
MAKE	Isuzu	
MODEL	AH-6UZ1XYSS, Tier III certified	
NET POWER	362 hp	270 kw
POWER MEASURED @	1950 rpm	
DISPLACEMENT	600 cu in	9.8 L
TORQUE MEASURED @	1500 rpm	
MAX TORQUE	1058 lb ft	1434.5 Nm
NUMBER OF CYLINDERS	6	
ASPIRATION	turbocharged	
<b>Operational</b>		
OPERATING WEIGHT	102974 lb	46708 kg
FUEL CAPACITY	161 gal	610 L
COOLING SYSTEM FLUID CAPACITY	10 gal	38 L
HYDRAULIC SYSTEM FLUID CAPACITY	122 gal	460 L
ENGINE OIL CAPACITY	9.5 gal	36 L
SWING DRIVE FLUID CAPACITY	2.8 gal	10.5 L
OPERATING VOLTAGE	24 V	
ALTERNATOR SUPPLIED AMPERAGE	50 amps	
HYDRAULIC SYSTEM RELIEF VALVE PRESSURE	4554 psi	31398.7 kPa
HYDRAULIC PUMP FLOW CAPACITY	190.2 gal/min	720 L/min
<b>Swing Mechanism</b>		
SWING SPEED	9 rpm	
<b>Undercarriage</b>		
NUMBER OF SHOES PER SIDE	50	
SHOE SIZE	35.4 in	900 mm
NUMBER OF CARRIER ROLLERS PER SIDE	2	
NUMBER OF TRACK ROLLERS PER SIDE	9	
GROUND PRESSURE	7.8 psi	53.8 kPa
MAX TRAVEL SPEED	3.3 mph	5.3 km/h
DRAWBAR PULL	78908 lb	351 kN
TRACK GAUGE	9 ft in	2750 mm
<b>Buckets</b>		
REFERENCE BUCKET CAPACITY	2.8 yd3	2.2 m3
MINIMUM BUCKET CAPACITY	1.8 yd3	1.3 m3
MAXIMUM BUCKET CAPACITY	4.1 yd3	3.1 m3
<b>Boom/Stick Option (HEX) 1</b>		
BOOM/STICK OPTION (HEX) 1	Boom 22'11" (6980mm)/ Stick 13'1" (4000 mm)	
SHIPPING HEIGHT OF UNIT	11.8 ft in	3600 mm
SHIPPING LENGTH OF UNIT	39.1 ft in	11920 mm
MAX DIGGING DEPTH	27.3 ft in	8340 mm
MAX REACH ALONG GROUND	40.4 ft in	12330 mm
MAX CUTTING HEIGHT	37.2 ft in	11340 mm
MAX LOADING HEIGHT	26.1 ft in	7940 mm
MAX VERTICAL WALL DIGGING DEPTH	23.5 ft in	7160 mm
<b>Boom/Stick Option (HEX) 2</b>		
BOOM/STICK OPTION (HEX) 2	Boom 22'11" (6980mm)/ Stick 11'1" (3380 mm)	
SHIPPING HEIGHT OF UNIT	11.8 ft in	3600 mm
SHIPPING LENGTH OF UNIT	39.2 ft in	11940 mm
MAX DIGGING DEPTH	25.3 ft in	7720 mm
MAX REACH ALONG GROUND	38.6 ft in	11770 mm
MAX CUTTING HEIGHT	36.6 ft in	11140 mm
MAX LOADING HEIGHT	25.4 ft in	7740 mm
MAX VERTICAL WALL DIGGING DEPTH	24.6 ft in	6570 mm
<b>Boom/Stick Option (HEX) 3</b>		
BOOM/STICK OPTION (HEX) 3	Boom 22'11" (6980mm)/ Stick 8'4" (2530 mm)	
SHIPPING HEIGHT OF UNIT	12 ft in	3670 mm
SHIPPING LENGTH OF UNIT	39.3 ft in	11990 mm
MAX DIGGING DEPTH	22.5 ft in	6870 mm
MAX REACH ALONG GROUND	36.1 ft in	10990 mm
MAX CUTTING HEIGHT	35.5 ft in	10820 mm
MAX LOADING HEIGHT	24.3 ft in	7420 mm
MAX VERTICAL WALL DIGGING DEPTH	18.6 ft in	5670 mm
<b>Dimensions</b>		
WIDTH TO OUTSIDE OF TRACKS	12 ft in	3650 mm

HEIGHT TO TOP OF CAB	10.8 ft in	3270 mm
GROUND CLEARANCE	21 ft in	540 mm
COUNTERWEIGHT CLEARANCE	52 ft in	1330 mm
TAIL SWING RADIUS	11.9 ft in	3620 mm
LENGTH OF TRACK ON GROUND	14.4 ft in	4400 mm