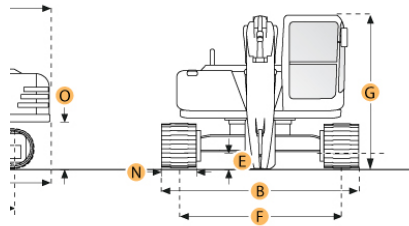
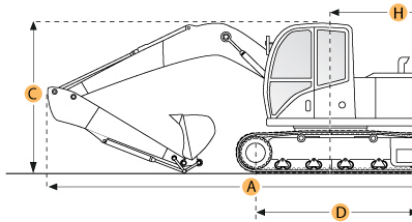


# RITCHIE Specs Everything about Equipment

## JOHN DEERE 350D LC HYDRAULIC EXCAVATOR



### Boom/Stick Option

Boom/Stick Option (HEX) 1

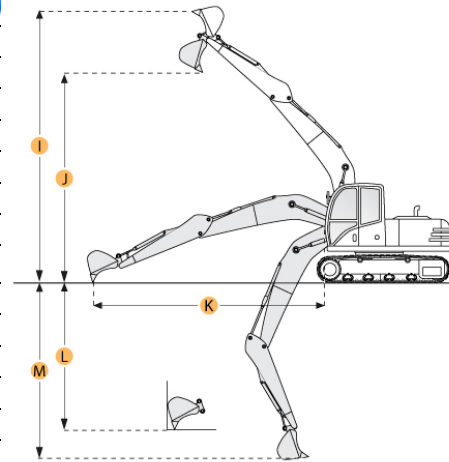
A. SHIPPING LENGTH OF UNIT	36.5 ft in	11130 mm
C. SHIPPING HEIGHT OF UNIT	11.4 ft in	3470 mm
I. MAX CUTTING HEIGHT	32.8 ft in	9990 mm
J. MAX LOADING HEIGHT	22.8 ft in	6940 mm
K. MAX REACH ALONG GROUND	34 ft in	10360 mm
L. MAX VERTICAL WALL DIGGING DEPTH	18.1 ft in	5510 mm
M. MAX DIGGING DEPTH	22.4 ft in	6840 mm

### Dimensions

B. WIDTH TO OUTSIDE OF TRACKS	11.1 ft in	3390 mm
D. LENGTH OF TRACK ON GROUND	13.3 ft in	4050 mm
E. GROUND CLEARANCE	1.7 ft in	500 mm
G. HEIGHT TO TOP OF CAB	10.3 ft in	3140 mm
H. TAIL SWING RADIUS	11.1 ft in	3370 mm
O. COUNTERWEIGHT CLEARANCE	3.8 ft in	1160 mm

### Undercarriage

F. TRACK GAUGE	8.5 ft in	2590 mm
N. SHOE SIZE	32 in	800 mm



# RITCHIE Specs Everything about Equipment

## JOHN DEERE 350D LC HYDRAULIC EXCAVATOR

### Specification

<b>Engine</b>		
MAKE	John Deere	
MODEL	6090H	
NET POWER	271 hp	202 kw
POWER MEASURED @	1900 rpm	
DISPLACEMENT	542 cu in	9 L
TORQUE MEASURED @	1300 rpm	
MAX TORQUE	1898 lb ft	1399 Nm
ASPIRATION	Turbocharger w/ charge cooler	
NUMBER OF CYLINDERS	6	
<b>Operational</b>		
OPERATING WEIGHT	77970.9 lb	35367 kg
FUEL CAPACITY	166 gal	630 L
COOLING SYSTEM FLUID CAPACITY	10.5 gal	39.7 L
HYDRAULIC SYSTEM FLUID CAPACITY	89.9 gal	340 L
ENGINE OIL CAPACITY	7.1 gal	27 L
SWING DRIVE FLUID CAPACITY	3.1 gal	11.8 L
OPERATING VOLTAGE	24 V	
ALTERNATOR SUPPLIED AMPERAGE	80 amps	
HYDRAULIC SYSTEM RELIEF VALVE PRESSURE	4980 psi	34300 kPa
HYDRAULIC PUMP FLOW CAPACITY	152.2 gal/min	576 L/min
<b>Swing Mechanism</b>		
SWING SPEED	10.7 rpm	
SWING TORQUE	81950 lb ft	111194 Nm
<b>Undercarriage</b>		
NUMBER OF SHOES PER SIDE	48	
SHOE SIZE	32 in	800 mm
NUMBER OF CARRIER ROLLERS PER SIDE	2	
NUMBER OF TRACK ROLLERS PER SIDE	8	
GROUND PRESSURE	7.2 psi	49.4 kPa
MAX TRAVEL SPEED	3.1 mph	5 km/h
DRAWBAR PULL	64375 lb	286.4 kN
TRACK GAUGE	8.5 ft in	2590 mm
<b>Buckets</b>		
REFERENCE BUCKET CAPACITY	2.3 yd <sup>3</sup>	1.8 m <sup>3</sup>
MINIMUM BUCKET CAPACITY	1.3 yd <sup>3</sup>	0.96 m <sup>3</sup>
MAXIMUM BUCKET CAPACITY	2.7 yd <sup>3</sup>	2.1 m <sup>3</sup>
<b>Boom/Stick Option (HEX) 1</b>		
BOOM/STICK OPTION (HEX) 1	Arm Length 8ft. 9in. 2.66m	
SHIPPING HEIGHT OF UNIT	11.4 ft in	3470 mm
SHIPPING LENGTH OF UNIT	36.5 ft in	11130 mm
MAX DIGGING DEPTH	22.4 ft in	6840 mm
MAX REACH ALONG GROUND	34 ft in	10360 mm
MAX CUTTING HEIGHT	32.8 ft in	9990 mm
MAX LOADING HEIGHT	22.8 ft in	6940 mm
MAX VERTICAL WALL DIGGING DEPTH	18.1 ft in	5510 mm
<b>Boom/Stick Option (HEX) 2</b>		
BOOM/STICK OPTION (HEX) 2	Arm Length 10ft. 6in. 3.2m	
SHIPPING HEIGHT OF UNIT	10.8 ft in	3270 mm
SHIPPING LENGTH OF UNIT	36.1 ft in	11000 mm
MAX DIGGING DEPTH	24.3 ft in	7380 mm
MAX REACH ALONG GROUND	35.8 ft in	10890 mm
MAX CUTTING HEIGHT	34 ft in	10360 mm
MAX LOADING HEIGHT	23.8 ft in	7240 mm
MAX VERTICAL WALL DIGGING DEPTH	21.1 ft in	6420 mm
<b>Boom/Stick Option (HEX) 3</b>		
BOOM/STICK OPTION (HEX) 3	Arm Length 13ft. 1in. 4.0m	
SHIPPING HEIGHT OF UNIT	11.8 ft in	3600 mm
SHIPPING LENGTH OF UNIT	36.4 ft in	11090 mm
MAX DIGGING DEPTH	26.8 ft in	8180 mm
MAX REACH ALONG GROUND	38.3 ft in	11670 mm
MAX CUTTING HEIGHT	35.2 ft in	10750 mm
MAX LOADING HEIGHT	25 ft in	7630 mm
MAX VERTICAL WALL DIGGING DEPTH	23.8 ft in	7270 mm
<b>Dimensions</b>		
WIDTH TO OUTSIDE OF TRACKS	11.1 ft in	3390 mm
HEIGHT TO TOP OF CAB	10.3 ft in	3140 mm

GROUND CLEARANCE	1.7 ft in	500 mm
COUNTERWEIGHT CLEARANCE	3.8 ft in	1160 mm
TAIL SWING RADIUS	11.1 ft in	3370 mm
LENGTH OF TRACK ON GROUND	13.3 ft in	4050 mm